

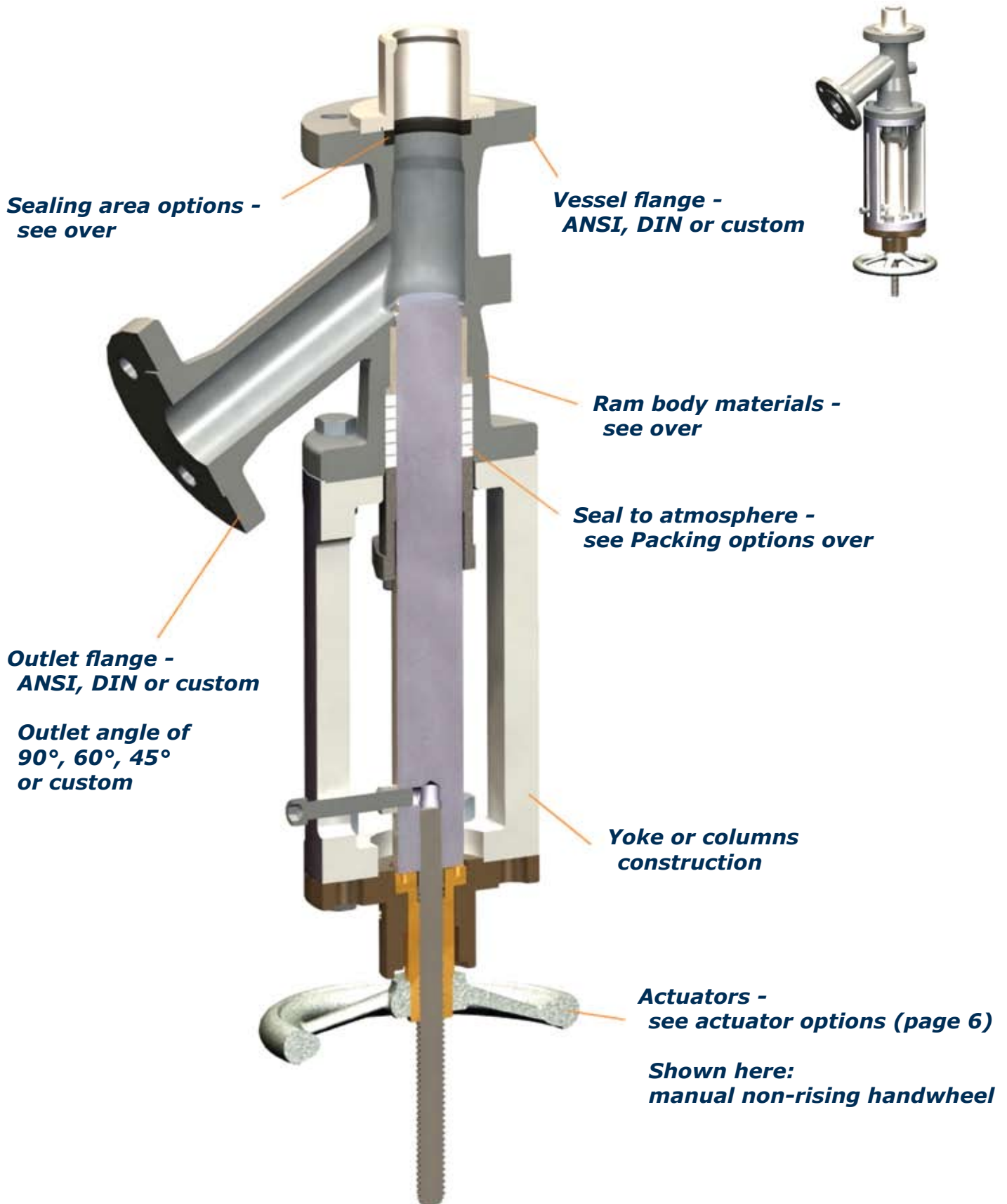
Piston Bottom Outlet Valves

KOLBENVENTILE



SchuF  **FETTEROLF**

SchuF Fetterolf Ram Valves with Customisable Seat

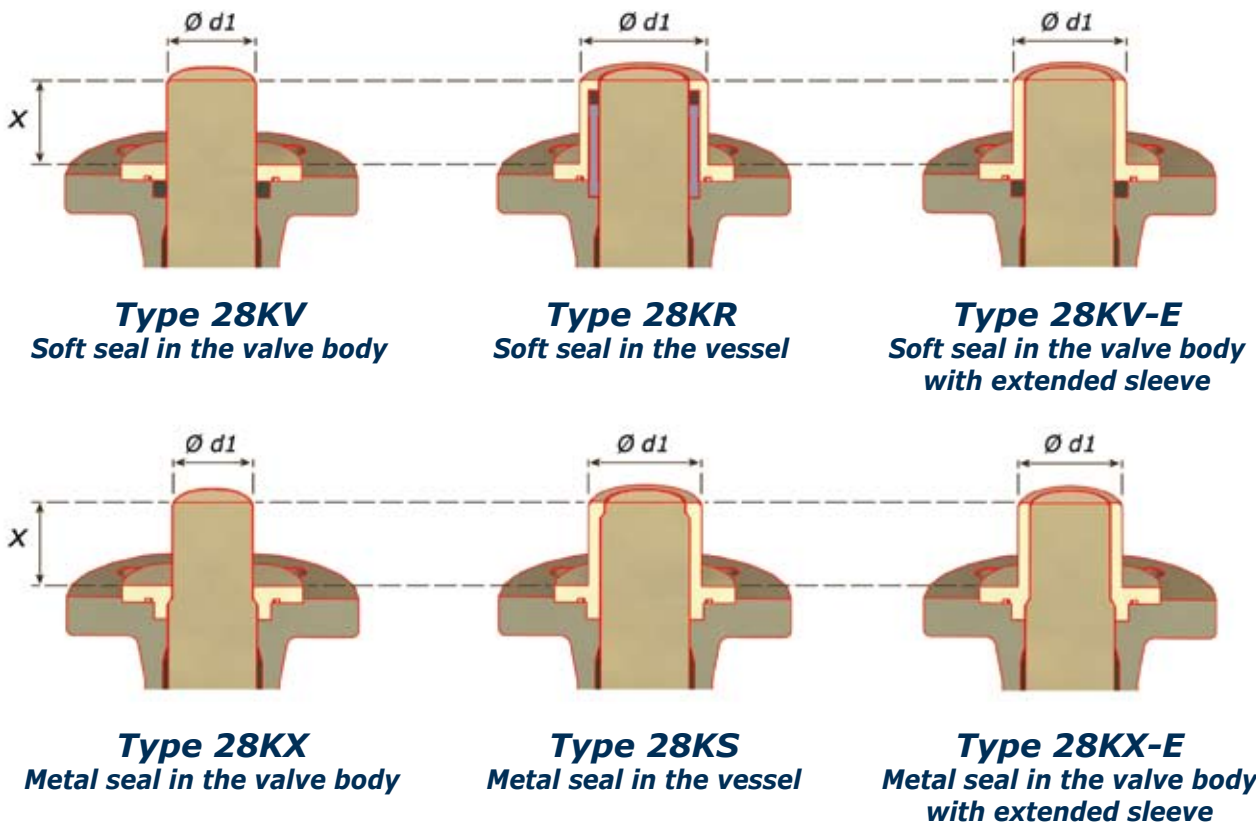


Ram Valves are used when full flow is essential to drain reactors and vessels, flush pipelines, inject media such as kill gases and catalysts and take large samples.

SchuF Fetterolf offers the widest range of design and sealing arrangements for every application. Please contact one of our offices or local agents for advice.

SchuF Fetterolf Ram Valves with Customisable Seat - Options

Sealing Method Options



Valve Seal to Atmosphere Options

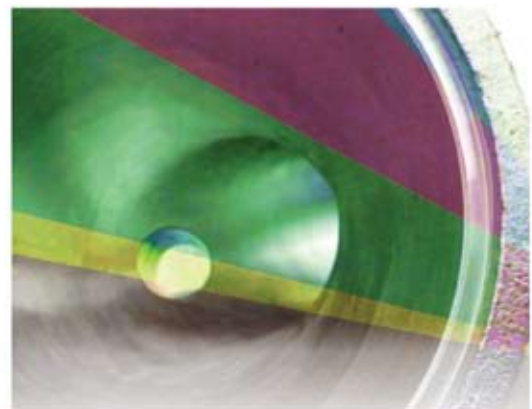


Packing rings are tightened with the stuffing-box gland to give a radial seal to atmosphere around the ram.

Packing rings can be ordered in PTFE or graphite (high temperature / FIRE SAFE) forms or even in a mix of both.

More specialized packing arrangements are available, including Chevron/PTFE and Garlock/Graphite sealing sets.

Valve Materials of Construction



SchuF Fetterolf valves are available in many different materials to suit the customer and the process. The valve bodies and trim can be supplied in stainless steel, carbon steel, Hastelloy, Inconel, nickel or titanium.

Internal lining can be supplied in PTFE, PFA, rubber or glass. Surfaces can also be ordered with specific coating: Stellite, titanium-nitriding, Canadizing, Kolsterising, chrome-plating and others.

SchuF Fetterolf Ram Valves with Integrated Seat

Ram-Seal[®] Valve Type 28FS

Outlet flange -
ANSI, DIN or
custom
Outlet angle of
90°, 60°, 45°
or custom

Vessel flange -
ANSI, DIN or
custom

Sealing -
see over

Rod-Seal[®] Valve Type 26FR

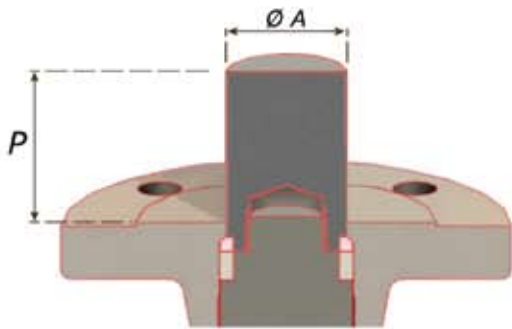
Sealing -
see over

Outlet flange -
ANSI, DIN or custom
Outlet angle of
90°, 60°, 45° or custom

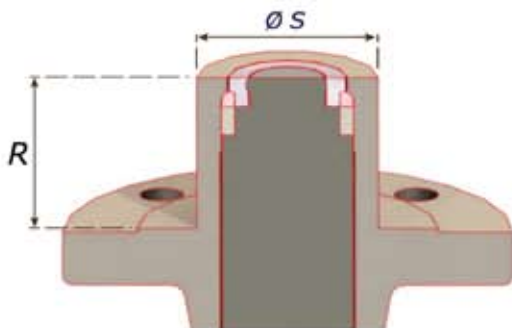
Actuators -
see actuator options
(page 6)
Shown here: manual
non-rising handwheel

SchuF Fetterolf Ram Valves with Integrated Seat - Options

Ram-Seal[®] Valve Sealing Method Options - Sealing ring: Ti or TFE

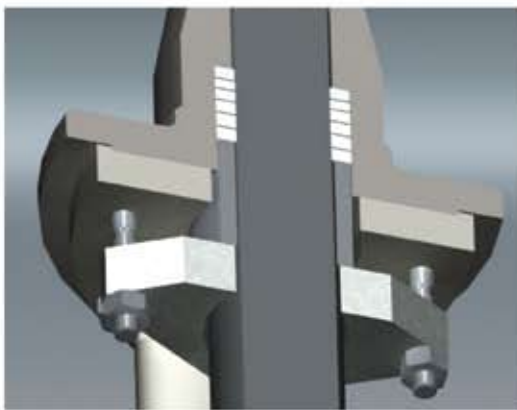


Type 28FX
Extended Plunger



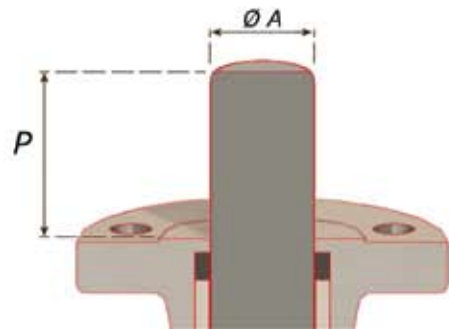
Type 28FS
Extended Body

Ram-Seal[®] Valve Sealing to Atmosphere - Options

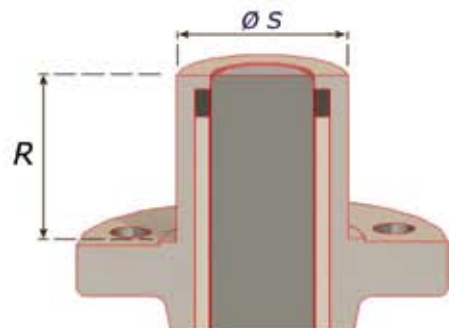


Ram-Seal[®] valves use packing rings for sealing to atmosphere. The packing rings are tightened using the stuffing-box gland to give a radial seal to atmosphere around the ram. Packing rings can be ordered in TVE/KEV or Graphite (suitable for high temperature or FIRE SAFE operation) or even in a mix of both. More specialized packing arrangements are available, including Chevron PTFE or Garlock graphite sealing sets.

Rod-Seal[®] Valve Sealing Method Options - Sealing ring: plain or encapsulated



Type 26FV
Extended Plunger



Type 26FR
Extended Body

Rod-Seal[®] Valve Sealing to Atmosphere - Super Closure

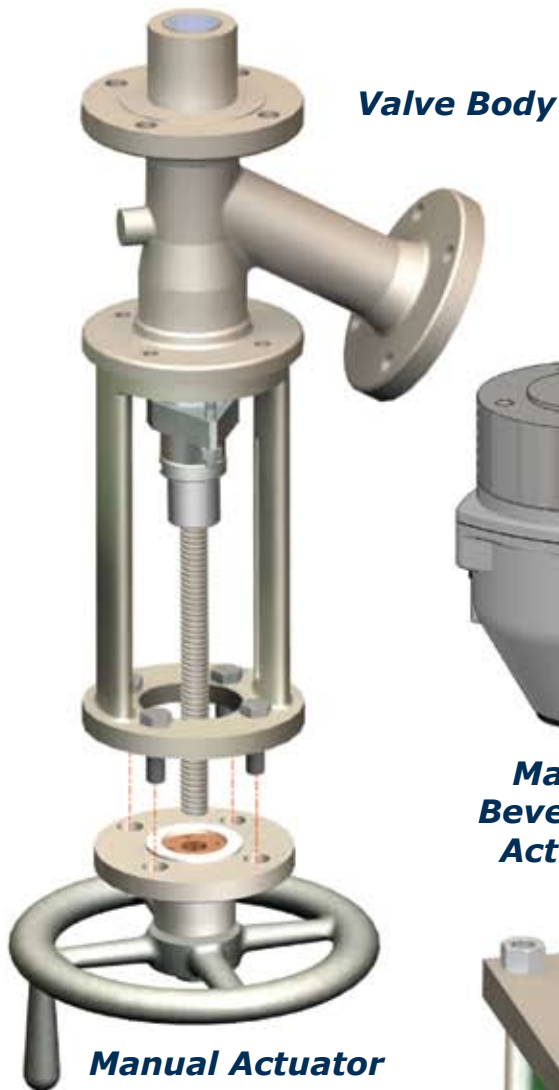


Rod-Seal[®] valves offer the unique Super Closure feature. A cross-head component, mounted at the end of the ram, compresses the stuffing-box gland only when the valve is fully closed. Thus, all the forces of actuation are carried by the guide bush to the packing rings and the radial seal at the top of the valve. This increased closing power ensures a tight shut-off to the process and the atmosphere. This sealing force eases when opening the valve.

SchuF Fetterolf Ram Valve Actuation - Options



**Pneumatic Diaphragm
(short stroke) Actuator**



Valve Body

Manual Actuator



**Manual
Bevel-Gear
Actuator**



Hydraulic Actuator



Electric Actuator



**Pneumatic Piston
(long stroke) Actuator**

SchuF Fetterolf Valves can be supplied with all options shown and later retrofitted to suit. For example, upgrading from a manual to a pneumatic actuator.

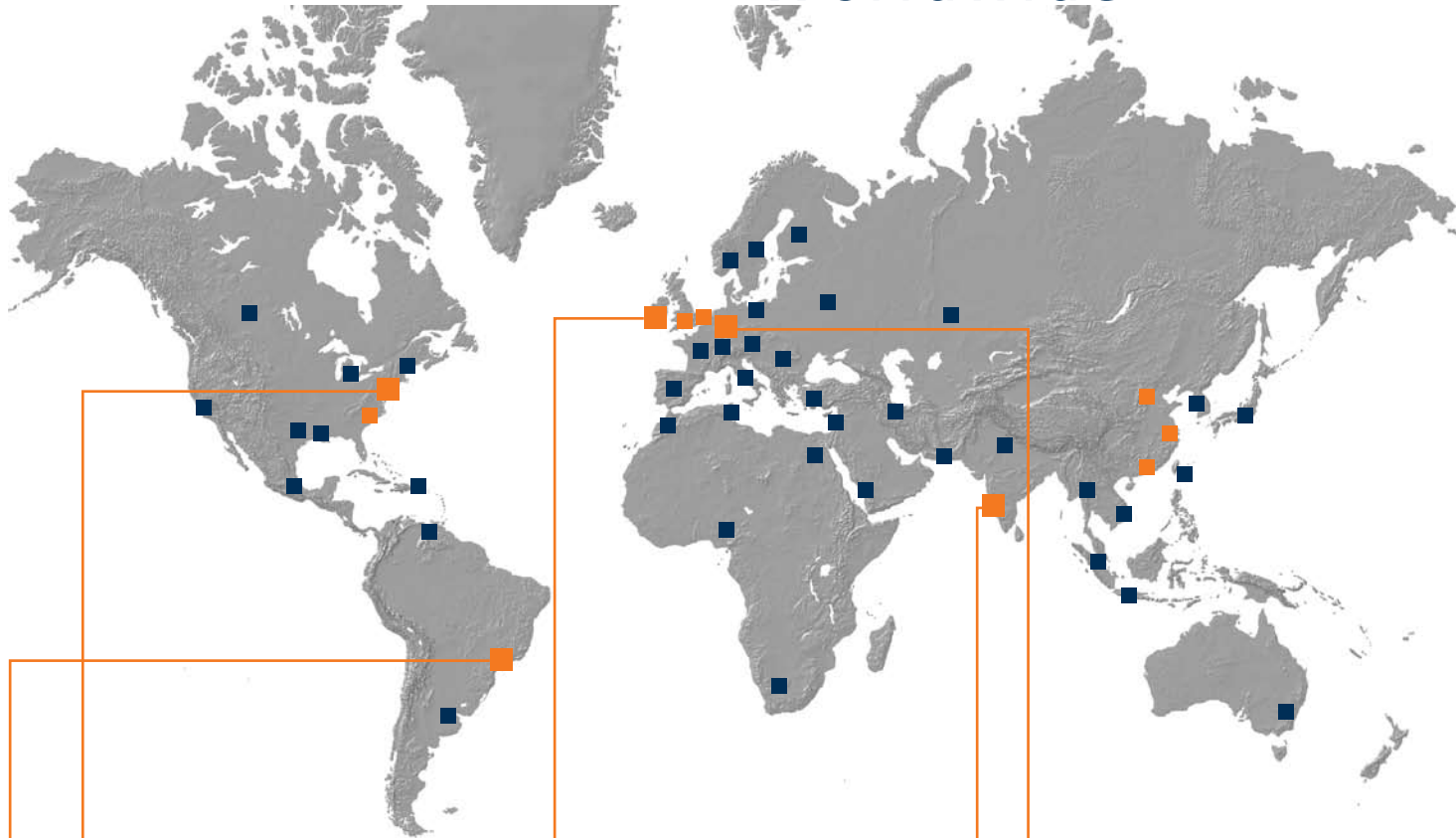
SchuF Fetterolf Ram Valve with Accessories



In addition to the features shown SchuF Fetterolf can offer the following options:

- *Jacketing*
- *Temperature Sensing*
- *FIRE SAFE Certification*
- *FDA Compliant Materials*
- *Flushing / Purging Connections*
- *Internally / Externally Polished*
- *Hard Facings*
- *Contoured Rams*

SchuF FETTEROLF Worldwide



www.schuf.com · www.schuf.de

USA



Fetterolf Corporation, Inc.
phone: +1 610 584-1500
fax: +1 610 584-5904
info@fetterolfvalves.com
SchuF (USA) Inc.
phone: +1 843 881 3345
fax: +1 843 881 6121
sales@schuf.us

IRELAND



SchuF Valve Technology GmbH
phone: +353 (0)21 4837000
fax: +353 (0)21 4837030
sales@schuf.ie

GERMANY



SchuF Chemieventile Vertriebs GmbH
phone: +49 (0)6198 571100
fax: +49 (0)6198 571200
verkauf@schuf.de

BRAZIL



Fetterolf SchuF do Brazil Ltda
phone: +55 19 39369090
fax: +55 19 39353215
fbvendas@fetterolf.com.br

Your Local Agent:

INDIA



SchuF Speciality Valves India Pvt. Ltd.
phone: +91 421 2264600
fax: +91 421 2362018
sales@schuf-india.com