

DN 200 - 1000

Standard construction

Valve operated by electric actuator AUMA type SA.. 3x400 V/50 Hz, Option: AUMA-MATIC rising stem

Material: on request

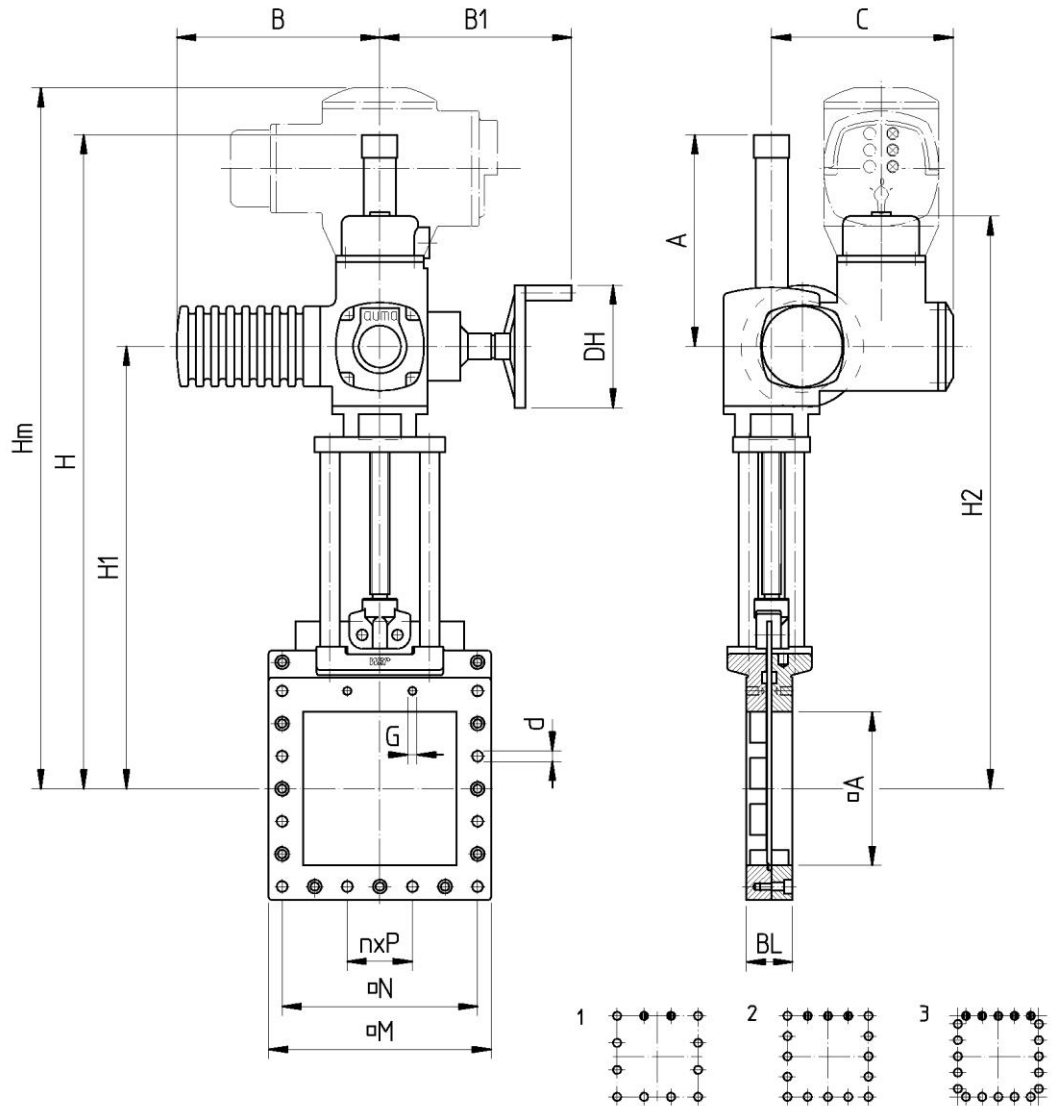
Coating: on request

Flange drilling: see table

Face-to-face dimension: see table

Pressure rating: 2,5 bar

Test pressure acc. to EN 12266-1 Leakage rate A



Alle Angaben unverbindlich

Änderungen vorbehalten

□A	BL	H	H1	H2	Hm	DH	A	B	B1	C	Antrieb		d	□M	□N	n x P	Flansch	
											SA..	G					Bild	
200	60	804	629	839	969	160	175	265	249	238	07.6	M12	14	290	255	3 x 85		1
250	70	1032	750	960	1090	200	282	283	254	248	10.2	M16	18	390	330	3 x 110		1
300	70	1117	835	1045	1175	200	282	283	254	248	10.2	M16	18	440	380	4 x 95		2
350	80	1322	940	1150	1280	200	382	283	254	248	10.2	M16	18	490	416	4 x 104		2
400	90	1397	1015	1225	1355	200	382	283	254	248	10.2	M20	22	540	480	4 x 96+		3
450	100	1531	1125	1351	1533	315	406	389	336	286	14.2	M20	22	595	550	5 x 110		1
500	110	1710	1204	1430	1612	315	506	389	336	286	14.2	M20	22	650	600	6 x 100		2
600 ¹⁾	130	1962	1356	1582	1764	315	606	389	336	286	14.2	M20	22	760	700	7 x 100		1
700 ¹⁾	150	2248	1550	1776	1958	315	698	389	336	286	14.2	M20	22	860	800	8 x 100		2
800 ¹⁾	160	2523	1725	1951	2133	400	798	389	339	286	14.6	M20	22	980	900	9 x 100		1
900 ¹⁾	180	2808	1910	2136	2318	400	898	389	339	286	14.6	M20	22	1080	1000	10 x 100		2
1000 ¹⁾	200	2994	2075	2305	2483	500	919	430	365	307	16.2	M20	22	1180	1100	11 x 100		1

¹⁾ DN 600-1000 Actuator 90° turned