

Wey® Knife Gate Valve VKC



2.11.3001

DN 200 - 600

Standard construction

Valve operated by double acting pneumatic cylinder *
supply pressure 6 – 8 bar

Material:
on request

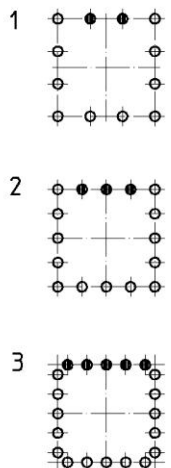
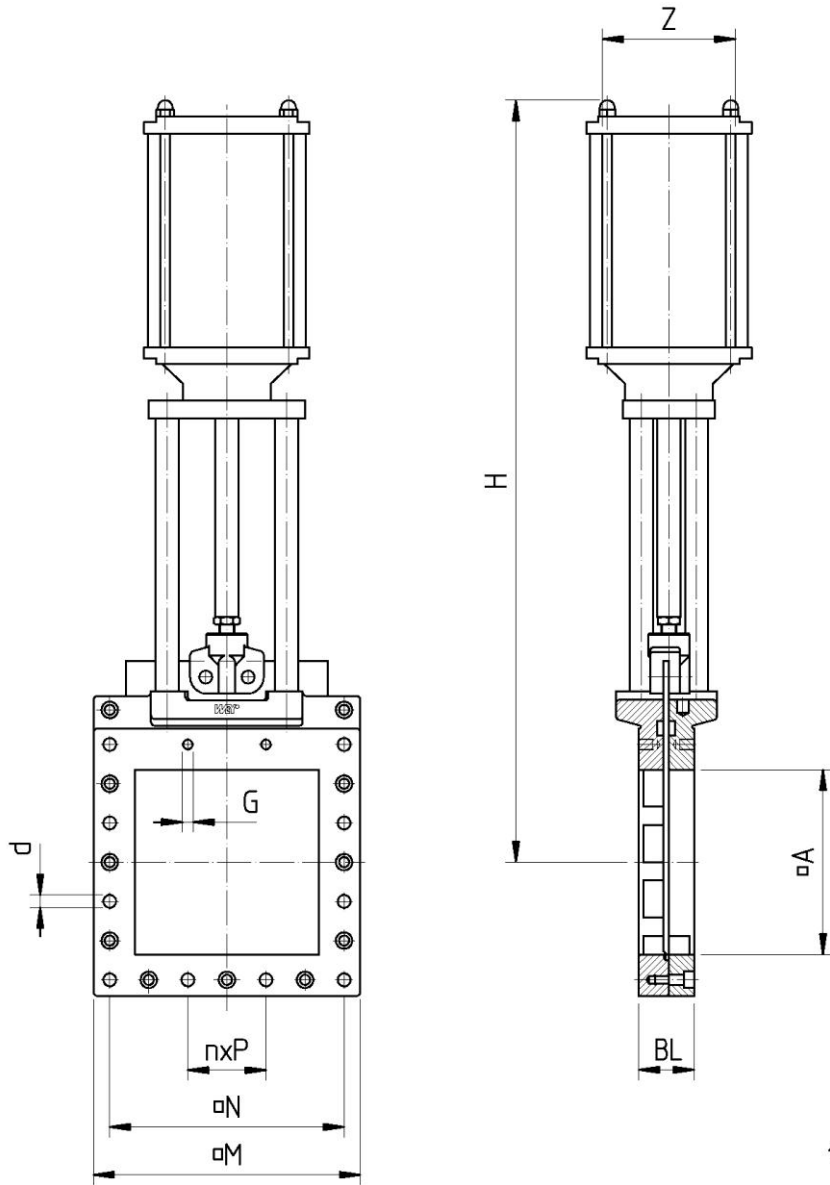
Coating:
on request

Flange drilling:
see table

Face-to-face dimension:
see table

Pressure rating:
2,5 bar

Test pressure acc. to EN 12266-1
Leakage rate A



All information for reference only

Technical modifications reserved

A	BL	H	Z	G	d	M	N	n x P	Flange-connection
200	60	827	160	M12	14	290	255	3 x 85	1
250	70	1019	200	M16	18	390	330	3 x 110	1
300	70	1154	200	M16	18	440	380	4 x 95	2
350	80	1339	250	M16	18	490	416	4 x 104	2
400	90	1464	250	M20	22	540	480	4 x 96+	3
450	100	1594	250	M20	22	595	550	5 x 110	1
500	110	1729	300	M20	22	650	600	6 x 100	2
600	130	1981	300	M20	22	760	700	7 x 100	1