

### DN 200 - 600

Standard construction

Valve operated by hand wheel, non rising spindle

Material: on request

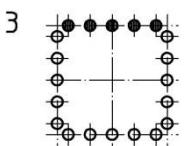
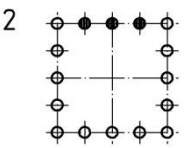
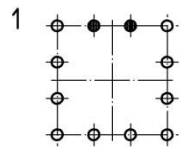
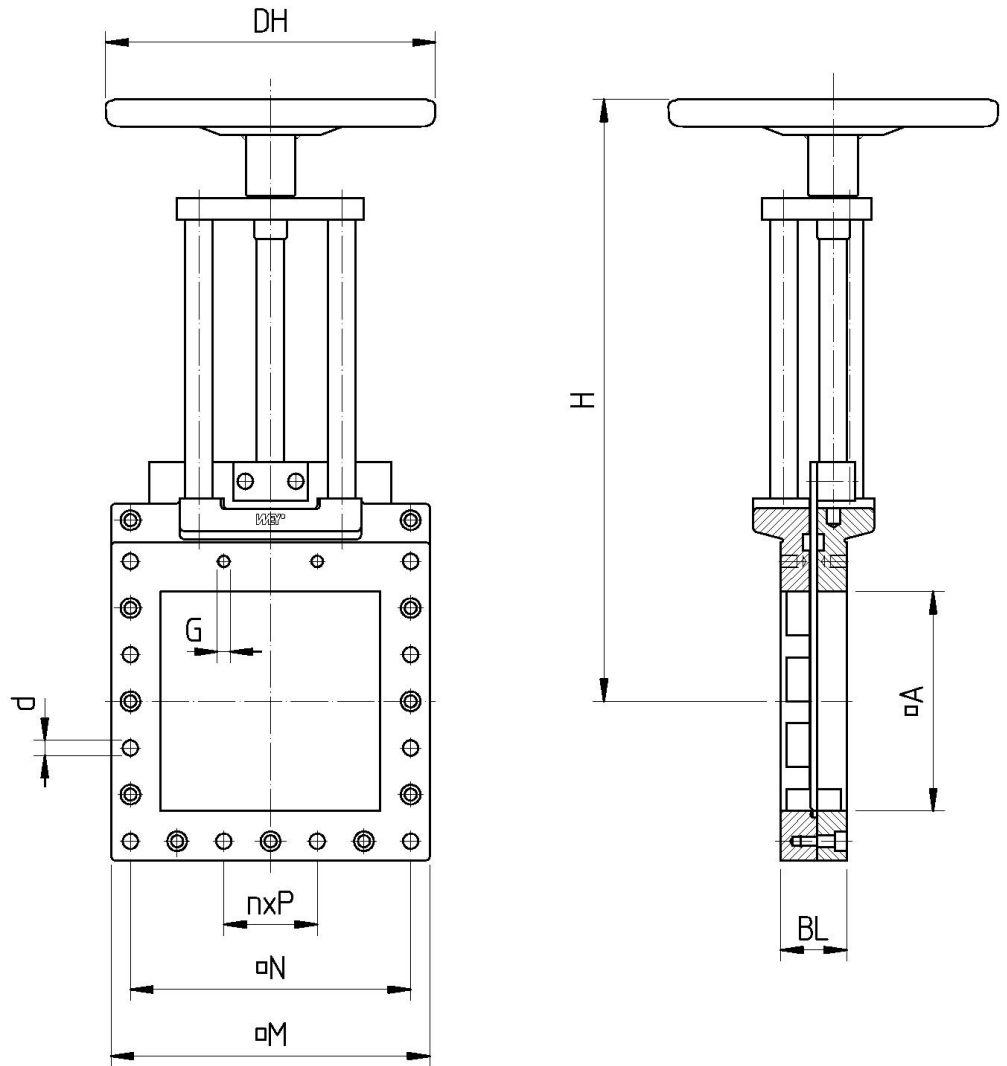
Coating: on request

Flange drilling: see table

Face-to-face dimension: see table

Pressure rating: 2,5 bar

Test pressure acc. to EN 12266-1  
Leakage rate A



All information for reference only

Technical modifications reserved

A	BL	H	DH	G	d	M	N	n x P	Flange-connection
200	60	549	300	M12	14	290	255	3 x 85	1
250	70	659	300	M16	18	390	330	3 x 110	1
300	70	763	400	M16	18	440	380	4 x 95	2
350	80	846	400	M16	18	490	416	4 x 104	2
400	90	923	400	M20	22	540	480	4 x 96+	3
450	100	1005	500	M20	22	595	550	5 x 110	1
500	110	1083	500	M20	22	650	600	6 x 100	2
600	130	1230	630	M20	22	760	700	7 x 100	1