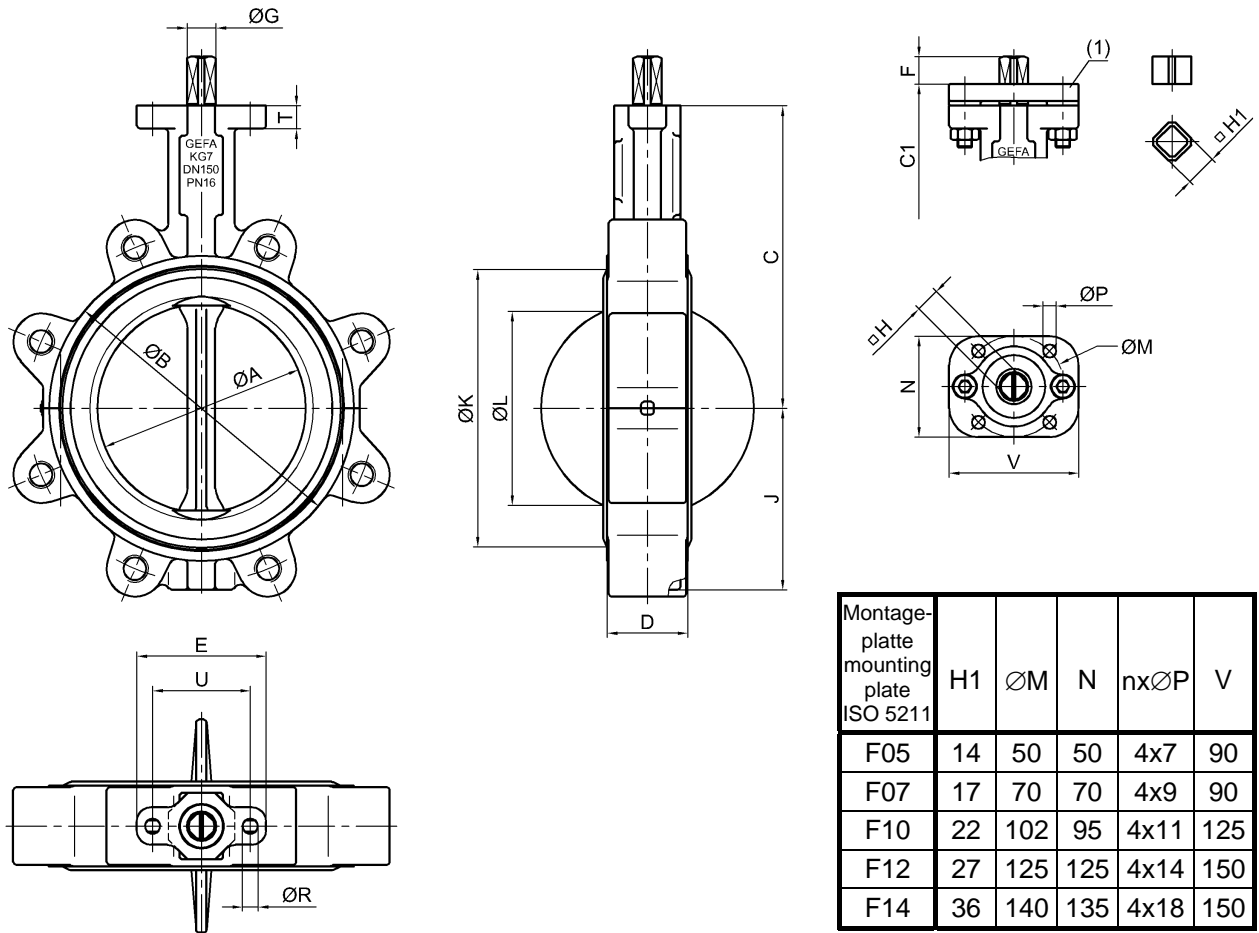


Maße Processklappe Serie KG7 Dimensions butterfly valve series KG7 DN 50 - DN 300

Baulänge: EN 558-1 Reihe 20 (DIN 3202-K1) Face to face dimension: EN 558-1 line 20 (DIN 3202-K1)



Montage- platte mounting plate ISO 5211	H1	ØM	N	nxØP	V
F05	14	50	50	4x7	90
F07	17	70	70	4x9	90
F10	22	102	95	4x11	125
F12	27	125	125	4x14	150
F14	36	140	135	4x18	150

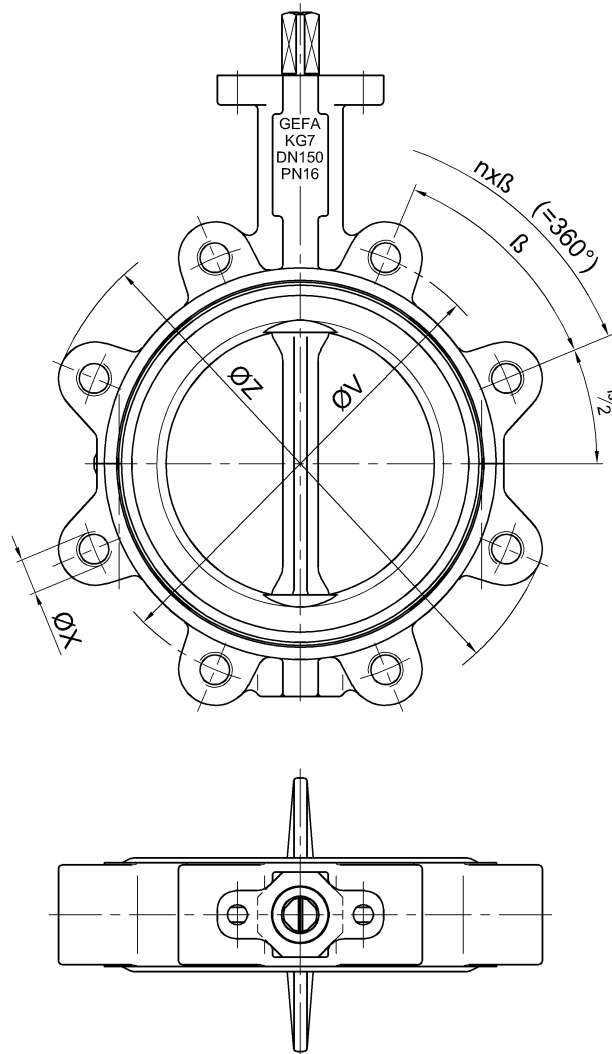
(1) MULTITOP Montageplatte und Vierkant-Adapter zum Direktaufbau von Antrieben mit größerem Anschlussflansch. Sonderaufbauten möglich.

(1) MULTITOP mounting plate and square-adapter for direct mounting of actuators with larger connection flange. Special designs possible.

ØK = Sitzring-Außendurchmesser / Seat outside diameter

ØL = kleinster Flanschinnendurchmesser / smallest inside diameter of flange

DN	NPS	ØA	ØB	C	C1	D	E	F	ØG	H	J	ØK	ØL	ØR	T	U	kleinster Anschluss min. mounting plate DIN 3337/ISO 5211
50	2"	51	100	130	145	43	90	16	14	11	60	86	33	11	14	68	F05
65	2 1/2"	64	111	145	160	46	90	16	14	11	67	97	48	11	14	68	F05
80	3"	76	126	160	175	46	90	16	14	11	75	112	64	11	14	68	F05
100	4"	101	158	180	195	52	90	16	16	14	94	144	91	11	16	68	F07/SW14
125	5"	126	180	195	210	56	90	19	20	17	113	166	117	11	16	68	F07
150	6"	145	212	210	225	56	90	19	20	17	126	194	137	11	16	68	F07
200	8"	197	274	240	258	60	125	19	22	17	158	252	190	13	21	95	F10
250	10"	247	328	270	288	68	125	24	28	22	191	302	240	13	21	95	F10
300	12"	298	377	300	318	78	125	24	28	22	222	350	290	13	21	95	F10



DN	NPS	Druckstufe Pressure class	ØV	ØX	ØZ	n	β	kg	DN	NPS	Druckstufe Pressure class	ØV	ØX	ØZ	n	β	kg		
40	1 1/2"	PN10	110	M16	155	4	90°	3,2	125	5"	PN10	210	M16	252	8	45°	10,5		
		PN16									PN16								
		Class 150									Class 150							215,9	3/4" UNC
50	2"	PN10	125	M16	155	4	90°	3,2	150	6"	PN10	240	M20	280	8	45°	12,0		
		PN16									PN16								
		Class 150									Class 150							241,3	3/4" UNC
65	2 1/2"	PN10	145	M16	175	4	90°	4,0	200	8"	PN10	295	M20	335	8	45°	16,5		
		PN16									PN16			335	12	30°	18,5		
		Class 150									Class 150			298,5	3/4" UNC	335	8	45°	16,5
80	3"	PN10	160	M16	190	8	45°	5,8	250	10"	PN10	350	M20	402	12	30°	27,5		
		PN16									PN16						355	M24	26,5
		Class 150									Class 150						362	7/8" UNC	27,0
100	4"	PN10	180	M16	220	8	45°	7,2	300	12"	PN10	400	M20	482	12	30°	46,5		
		PN16									PN16						410	M24	45,5
		Class 150									Class 150						431,8	7/8" UNC	46,0

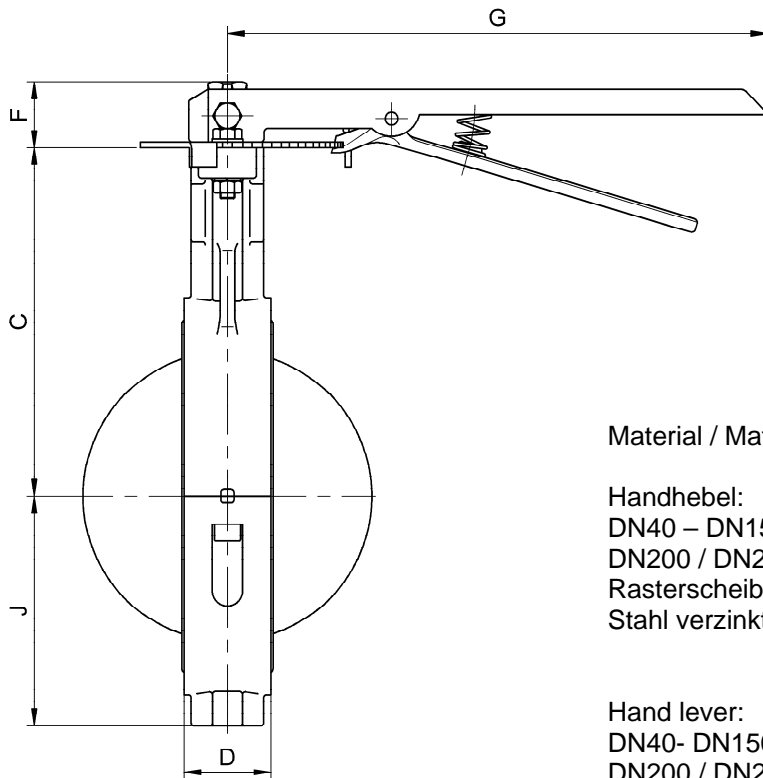
Maximale Druckbelastung: siehe Druck-Temperatur-Diagramm

Maximum pressure: please refer to pressure-temp. range diagram

Änderungen vorbehalten
 subject to changes

Processklappe Serie KG6 bis KG9 mit Handhebel

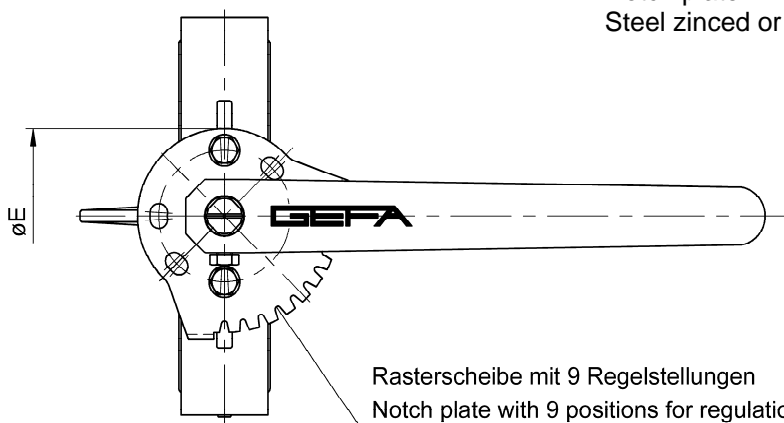
Butterfly valve series KG6 to KG9 with hand lever



Material / Materials

Handhebel:
 DN40 – DN150: Aluminium oder Edelstahl
 DN200 / DN250: Aluminium
 Rasterscheibe:
 Stahl verzinkt oder Edelstahl

Hand lever:
 DN40- DN150: Aluminium or stainless steel
 DN200 / DN250: Aluminium
 Notch plate:
 Steel zinced or stainless steel



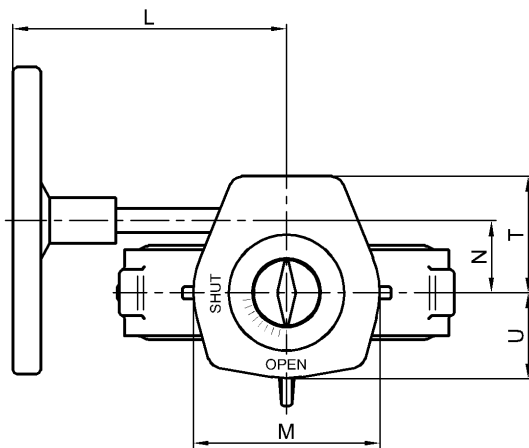
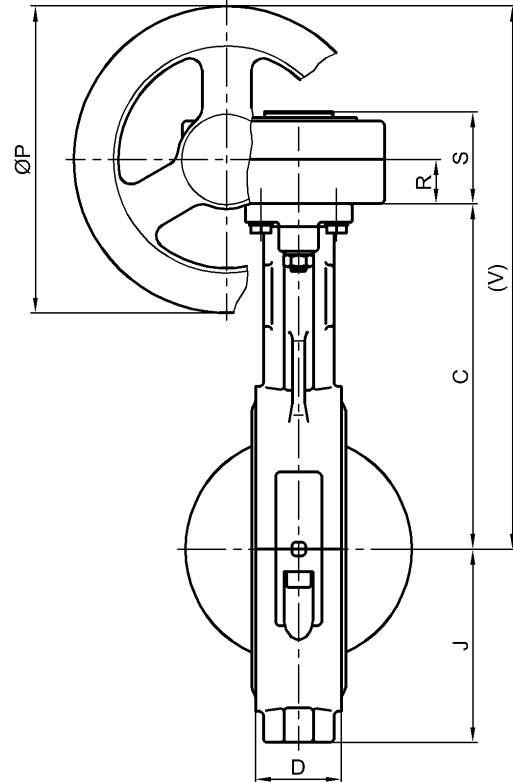
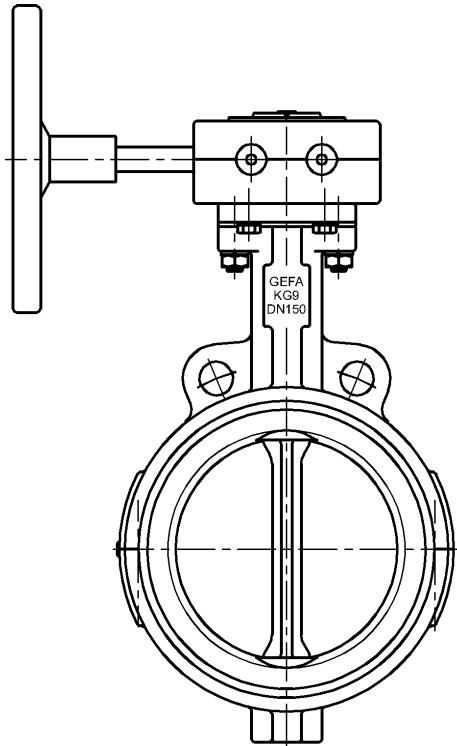
DN	NPS	C	D	ØE	F	G	J	kg *
40 / 50	1 1/2" / 2"	130	43	90	30	280	60	0,6 / 1,1
65	2 1/2"	145	46				67	
80	3"	160	46				75	
100	4"	180	52				94	
125	5"	195	56				113	
150	6"	210	56				126	
200	8"	240	60	125	38	340	158	1,0
250	10"	270	68				191	

* Gewicht Handhebel inklusive Zubehör

* Weight of hand lever including accessories

Änderungen vorbehalten
 subject to changes

Processklappe Serie KG6 bis KG9 mit Aluminium Getriebe Butterfly valve series KG6 to KG9 with aluminium gear operator DN 40 - DN 300



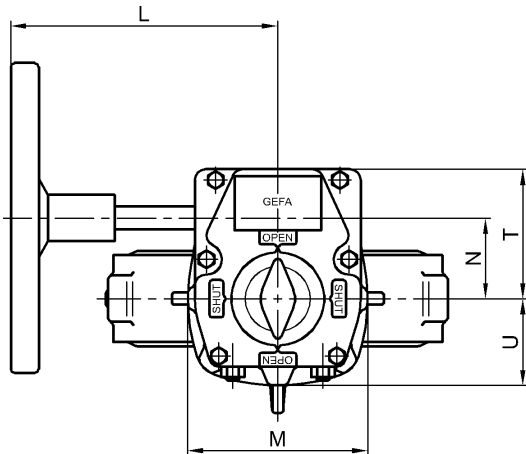
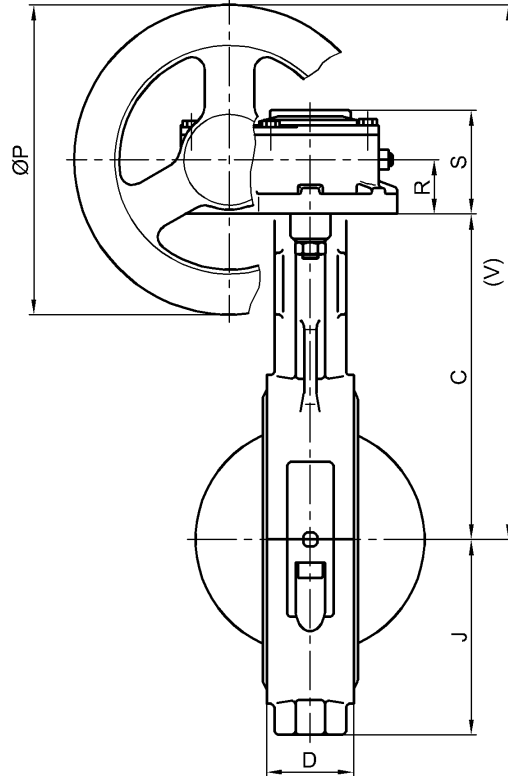
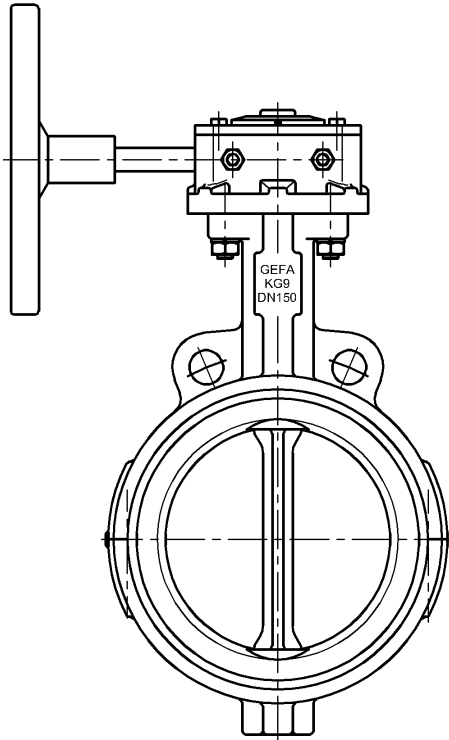
Getriebewerkstoffe / Gear materials
 Gehäuse / Body: Aluminium / aluminium
 Welle / Stem: Stahl / steel
 Handrad / Handwheel: Stahl / steel

Gewicht des Getriebes inklusive Handrad.
 Klappenspezifische Daten entnehmen Sie bitte
 den entsprechenden Datenblättern.

Weight of gear operator including handwheel.
 Regarding valve data please refer to relevant
 data sheets.

DN	NPS	Getriebe Typ Gear type	C	D	J	L	M	N	ØP	R	S	T	U	V	kg
40 / 50	1 1/2" / 2"	BGM98111V	145	43	60	150	113	39	125	31	71	64	56	239	2,0
65	2 1/2"	BGM98111V	160	46	67	150	113	39	125	31	71	64	56	254	2,0
80	3"	BGM98111V	175	46	75	150	113	39	125	31	71	64	56	269	2,0
100	4"	BGM98114	195	52	94	150	113	39	125	31	71	64	56	289	2,0
125	5"	BGM98117	210	56	113	187	113	39	200	31	71	64	56	341	2,5
150	6"	BGM98117	225	56	126	187	113	39	200	31	71	64	56	356	2,5
200	8"	BGM98417	258	60	158	197	130	52	200	32	73	83	65	390	3,3
250	10"	BGM98422	288	68	191	197	130	52	200	32	73	83	65	420	3,3
300	12"	BGM98722	318	78	222	246	164	67	315	38	86	109	82	514	7,7

Processklappe Serie KG6 bis KG9 mit Grauguss Getriebe Butterfly valve series KG6 to KG9 with cast iron gear operator DN 40 - DN 300

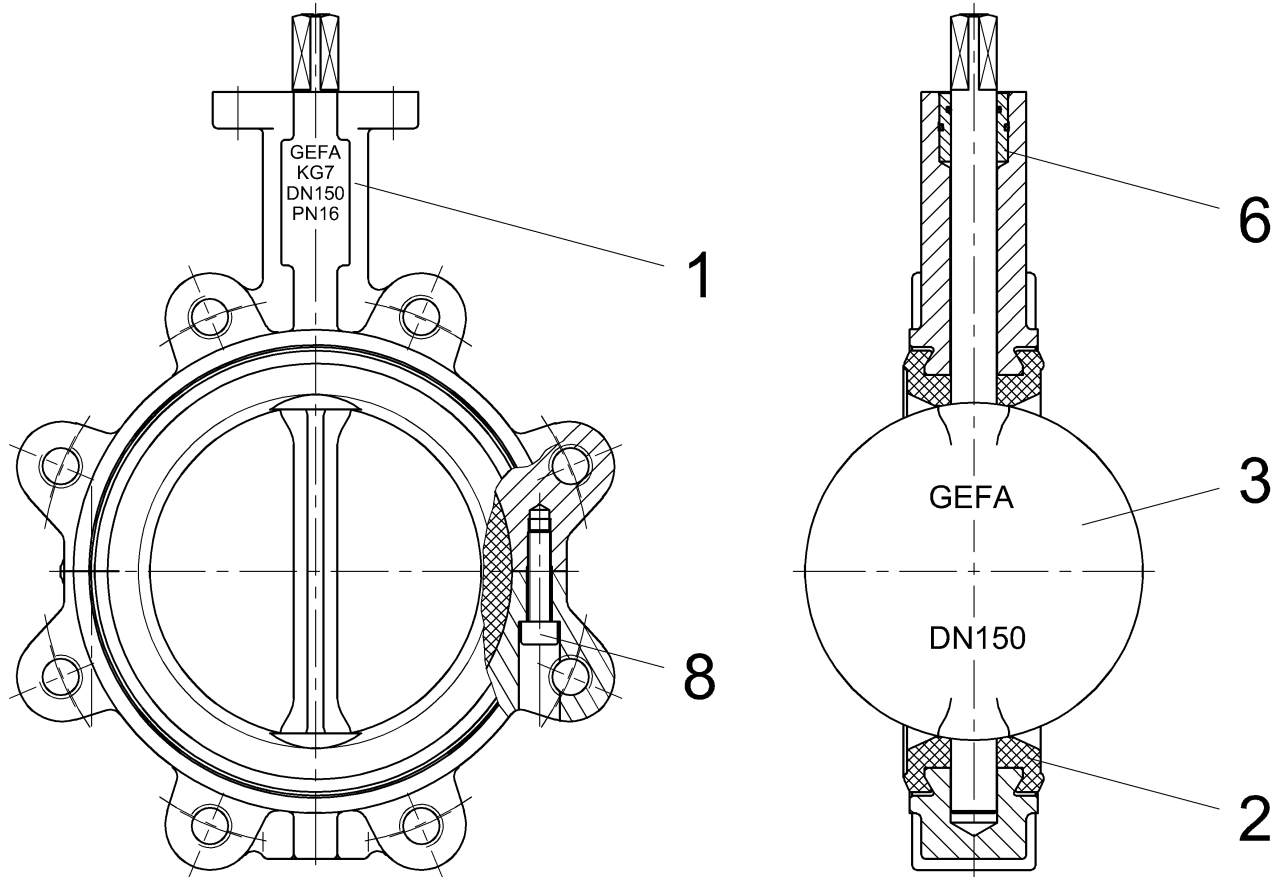


Getriebewerkstoffe / Gear materials
 Gehäuse / Body: Grauguss / cast iron
 Welle / Stem: Stahl / steel
 Handrad / Handwheel: Stahl / steel

Auf Wunsch ist ein Kettenrad lieferbar.
 Gewicht des Getriebes inklusive Handrad.
 Klappenspezifische Daten entnehmen Sie bitte den
 entsprechenden Datenblättern.

Upon request chain wheel can be supplied.
 Weight of gear operator including handwheel.
 Regarding valve data please refer to relevant data sheets.

DN	NPS	Getriebe Typ Gear type	C	D	J	L	M	N	ØP	R	S	T	U	V	kg
40 / 50	1 1/2" / 2"	BGMM0711V	130	43	60	150	88	39	125	27	58	62	45	220	2,9
65	2 1/2"	BGMM0711V	145	46	67	150	88	39	125	27	58	62	45	235	2,9
80	3"	BGMM0711V	160	46	75	150	88	39	125	27	58	62	45	250	2,9
100	4"	BGMM0714	180	52	94	150	88	39	125	27	58	62	45	270	2,9
125	5"	BGMM0717	195	56	113	187	88	39	200	27	58	62	45	322	3,5
150	6"	BGMM0717	210	56	126	187	88	39	200	27	58	62	45	337	3,5
200	8"	BGMM1017	240	60	158	197	116	52	200	35	67	84	58	375	5,0
250	10"	BGMM101022	270	68	191	197	116	52	200	35	67	84	58	405	5,0
300	12"	BGMM1222	300	78	222	301	150	67	250	42	81	105	75	467	10,0



Teil Nr. Part No.	Bezeichnung Description	Material			
		≤ DN 150: KG7 2461 E ≥ DN 200: KG7 2423 E	KG7 2466 E	KG7 2479 E	KG7 2413 E
1	Gehäuse Body	Sphäroguss Ductile iron	Sphäroguss Ductile iron	Sphäroguss Ductile iron	Sphäroguss Ductile iron
2*	Sitzring Seat	EPDM	EPDM	EPDM	EPDM
3	Klappenscheibe / Welle Disc / stem	≤ DN150: Cr-Stahl/Cr-Stahl Cr-Steel/Cr-Steel ≥ DN200: EN-GJS-400-15 (GGG40)/1.4021	≤ DN150: 1.4408/1.4408 ≥ DN200: 1.4408/1.4571	EPDM-beschichtet / 1.4021 EPDM-coated / 1.4021	≤ DN80: G-CuAl10Ni/ G-CuAl10Ni ≥ DN100: G-CuAl10Ni/ 1.4571
6*	Lagerbuchse mit O-Ring Bearing with O-ring	POM / NBR	POM / NBR	POM / NBR	POM / NBR
8	Gehäuseschraube Body screw	DIN 912 - 8.8	DIN 912 - 8.8	DIN 912 - 8.8	DIN 912 - 8.8

* = Verschleißteile / Wearing parts

Wahlweise andere Werkstoffe lieferbar / Other materials available

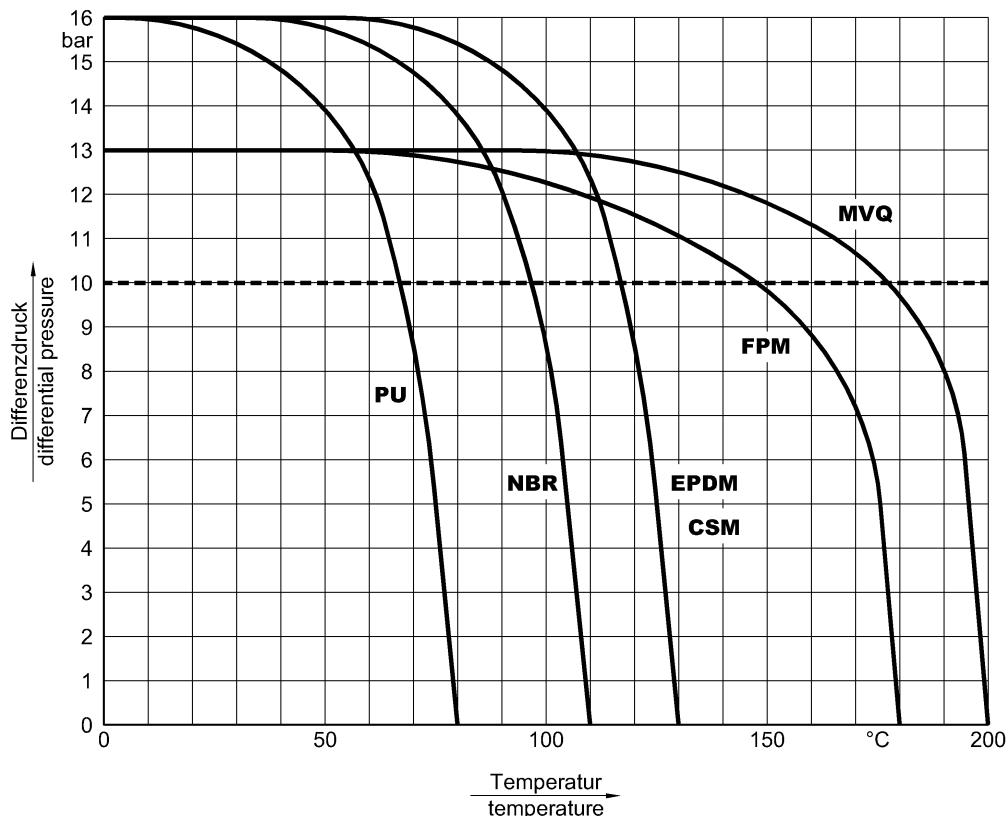
Änderungen vorbehalten
 subject to changes

Introduction

The following information and instructions are important for perfect installation and safe operation of the valve. Prior to installation and initial use of the valve, the qualified staff in charge of installing and operating the valve has to be instructed according to this information.

Proper use

The soft-seated butterfly valve series K may only be used to stop, throttle and control media flows within the permissible pressure/temperature limits.



From DN 200 the use of seats with higher shore hardness is necessary at a differential pressure of more than 13 bar.
 Lug type valves: Max. differential pressure 6 bar for valves used in an end-of-line function.
 KG2 / KG4 and valves from DN 600: Max. differential pressure 10 bar.

The suitability of the product-related parts used and their chemical resistance properties have to be clarified before start-up of the plant. The usual flow rate must not be exceeded. Vibrations, water hammers and cavitation as well as abrasive components result in damage of the valve and affect its service life.

Valves must not be used to support the pipeline nor as a step-up.

This includes the different kinds of operation like hand levers, gear operators, actuators, feedback and control systems.

When using a hand lever, handwheel and manual emergency operation, take care that there is enough space for a proper operation.

Earthing the valve

If the butterfly valve is supplied with anti-static device and used in potentially explosive zones, the earthing strap supplied with the valve must be connected effectively at site with the potential compensation cable before the valve is put into operation.

Transport and storage

The valve must be transported and stored dry and clean.

In humid rooms, a drying material or heating must be used to avoid condensation.

During transport and intermediate storage the butterfly valve should not be outside a temperature range of -15°C and +30°C.

The transport packaging protects the valve against soiling and damage. Impact and vibrations must be avoided.

The outer paintwork (coating) must remain undamaged, otherwise the faulty spots must be repaired immediately.

The factory-adjusted basic setting (position of the disc at delivery) must not be changed.

Conditions for mounting the valve

The soft-seated butterfly valve series K is installed between pipeline flanges acc. to DIN2501 or ANSI B16.5.

The pipeline must not have any axial or angular offset, since otherwise the disc could be damaged and the seat can become deformed, which is not permitted.

The seat of the GEFA butterfly valve has a sealing lip.

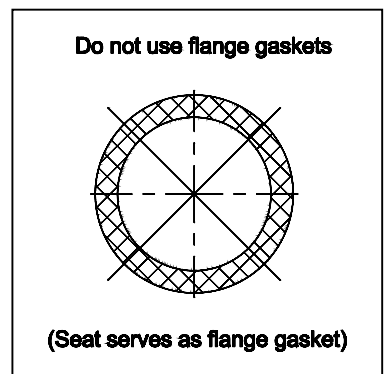
Due to this seat design the butterfly valve is "self-sealing" to the flanges and does not require additional flange gaskets.

Pre-condition: The flange sealing surfaces have been checked to make sure that they have a smooth surface structure.

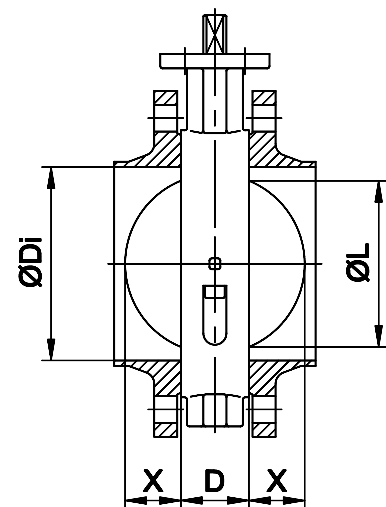
Residues (welding beads) must be removed.

No cross marks may be visible.

The "clearance" of the mating flanges - including inner coating- has to be sufficient to allow the disc to be fully opened without touching ($\text{ØDi} \geq \text{ØL} + 6 \text{ mm}$). This must be checked before the valve is installed and compared with the space necessary for the valve according to the table.



DN	D	ØL	X
50	43	33	6
65	46	48	10
80	46	64	17
100	52	91	27
125	56	117	37
150	56	137	46
200	60	190	70
250	68	240	91
300	78	290	111
350	78	330	131
400	102	377	144
500	127	475	182
600	149	567	215
700	169	665	255
800	189	763	295
900	209	859	334
1000	229	967	378



Transport packaging

Transport packaging protects the interior of the valve from soiling and damage.

Do not remove the packaging until the valve is going to be installed.

Installation position

Basically the butterfly valve series K can be installed in any position. The recommended position, however, is with the shaft being horizontal.

The lower disc edge should open in flow direction.

Installation

The soft-seated butterfly valve series K has to be switched to a slightly angled position. The position of the disc must be within the face-to-face dimension of the valve.

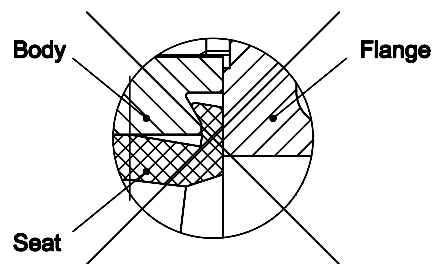
Spread the mating flanges and insert the valve carefully between the flanges.

If the pipeline is to be welded at site, temporary fitting blocks should be installed instead of the butterfly valve, since flying sparks and welding residues can damage the seat due to high temperatures. Never leave the butterfly valve installed when welding of the pipeline/flanges has to be completed.

Center the butterfly valve using the flange screws. The outside diameter of the valve body is used for full centering!

NOTE!

If the valve is inserted incorrectly between the flanges, the seat can become displaced and destroyed.



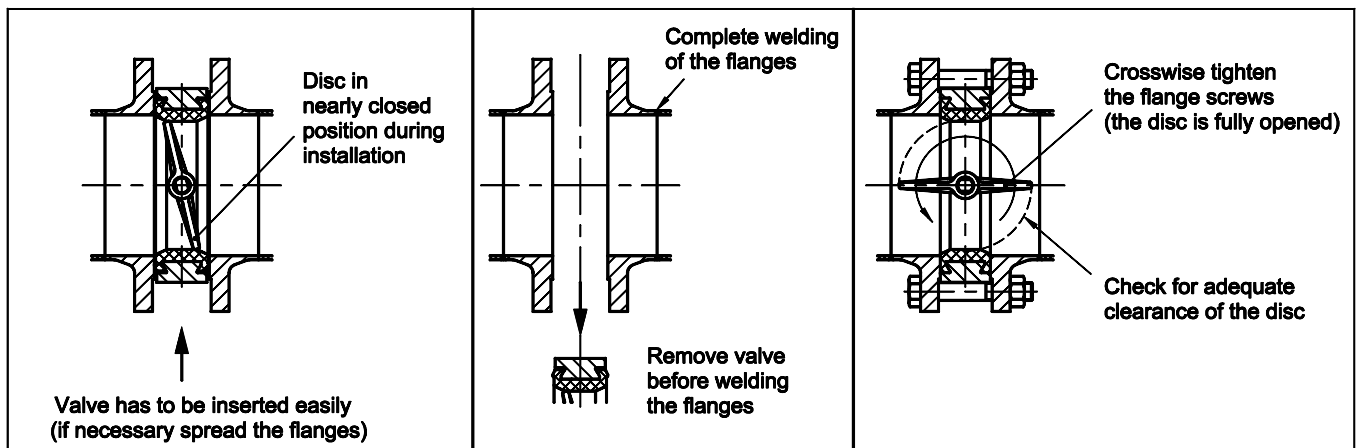
Remove the flange-spreaders and tighten the flange screws slightly and evenly crosswise with the disc fully opened.

During this procedure, check that the valve is centered between the mating flanges.

Open and close the valve several times and cross-tighten the flange screws once again with the disc in closed position. (Tightening torque: please refer to below table).

Check that the disc has adequate clearance.

When installing the lug type butterfly valve as end-in-line valve, the free port must be secured by a blind flange.



Tightening torque for flange screws

DN	40	50	65	80	100	125	150	200	250	300	350	400	500	600	700	800	900	1000
NPS	1 1/2"	2"	2 1/2"	3"	4"	5"	6"	8"	10"	12"	14"	16"	20"	24"	28"	32"	36"	40"
Tightening torque [Nm]	85	85	85	85	85	85	165	165	165	165	165	285	285	415	415	570	570	760

Mounting of actuators

It must be ensured that the actuator is centred on the valve shaft.
The weight of a mounted actuator must not place a one-sided load on the shaft of the valve:
if necessary actuators must be supported without fixing.
External loads must not be applied to actuators, this can damage or destroy the valve.

Initial operation

The butterfly valve has been tested for leakage using air or water. Residues of the test medium may still be on the contact surfaces of the valve. Possible reactions with the operating medium must be observed.
Prior to initial operation, the pipeline must be flushed effectively with the valve fully opened to eliminate soiling and to avoid damage to the sealing surfaces. The valve must not be switched during the flushing process.

During a system pressure test the following pressures must not be exceeded:

1,5 x PN with disc in open position
1,1 x PN with disc in closed position

Impermissible operation

Never operate the butterfly valve without actuating devices and/or locking of the shaft.
Do not operate the valve in the cavitation area.
Do not exceed the pressure/temperature range.
Avoid all foreign particles on the sealing surfaces.

Removing the valve

Before removing the butterfly valve make sure that the pipe section is depressurised and evacuated.
In case of toxic, caustic and other outgassing media the pipe section must also be ventilated.
Safety classification is the responsibility of the system operator.

The butterfly valve is removed by loosening the flange screws and sufficient spreading of the mating flanges.

The valve disc must be closed at an angle within the face-to-face dimension of the valve to prevent damage to the disc. Actuators either have to be dismantled before the valve is removed or they have to be secured against unauthorized or unintentional operation.

Disposal / repair of the valve

After having removed the valve it has to be disassembled and cleaned to prevent injuries caused by residues of the medium.
If the valve is returned to the manufacturer, a safety data sheet relating to the media must be included.

Subject to modifications without notice.

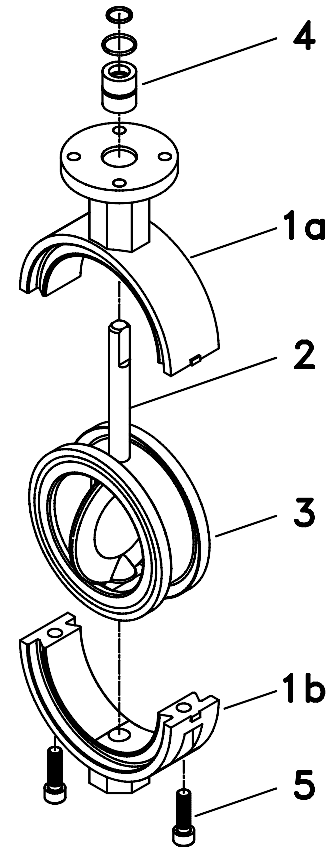
Edition: 2011-03-10

Maintenance

- The valves do not require any special maintenance.

Disassembly

- Valves with hand lever:
Loosen the collateral screw joint of the hand lever and pull the hand lever off the shaft (2).
Loosen the screws of the throttle plate and remove the throttle plate.
If only the seat (3) is to be replaced, the throttle plate can be left mounted.
- Valves with actuator:
Loosen the screws between the valve and the actuator or between the valve and the bracket and remove the complete actuator unit from the valve.
If only the seat (3) is to be replaced, the complete actuator unit can be left mounted.
- Turn the disc (2) to "OPEN" position.
- Loosen both body screws (5) and remove them.
- Pull off the lower part of the body (1b). Once the body screws (5) have been removed, this is only held by the dovetail of the seat (3).
Use two screwdrivers in the body splits to pull off the bottom part with a rotating motion.
- Pull the disc (2) and seat (3) out of the upper part of the body (1a).
- Remove the bearing including O-rings (4) from the upper part of the body (1a).
- In order to remove the disc (2) from the seat (3), deform the seat into a long oval until the short end of the shaft can be cleared. Using a rotating motion the long end of the shaft can now be removed from the seat shaft hole.



Assembly

- Clean all parts thoroughly, if possible use silicone oil for assembly. If the butterfly valve is to be fitted with a PTFE seat, this seat must be heated for around 1 hour in boiling water to guarantee perfect assembly.
- Insert the long end of the valve shaft (2) into a shaft hole of the seat (3) by using a rotating motion.
- Turn the disc (2) to "OPEN" position and deform the seat again into a long oval until the short end of the shaft can be inserted easily into the shaft hole of the seat.
- Insert the long shaft end of the "disc-shaft-seat unit" (2+3) into the upper part of the body (1a). Push the dovetail of the seat into the body's contour of the dovetail.
- Insert the bearing including O-rings (4) into the upper part of the body (1a).
- Mount the lower part of the body (1b). There is a small cam on one mould seam on both body halves which shows the correct position of the body halves in relation to one another.
- Insert both body screws (5) and tighten them.
- Valves with hand lever:
Fix the throttle plate loosely on the top flange. Insert the hand lever onto the shaft and position the throttle plate. Tighten the screws of the throttle plate and fix the lever in place using the collateral screw joint.
- Valves with actuator:
Place the complete actuator unit in position, align and fix by using the screws.