

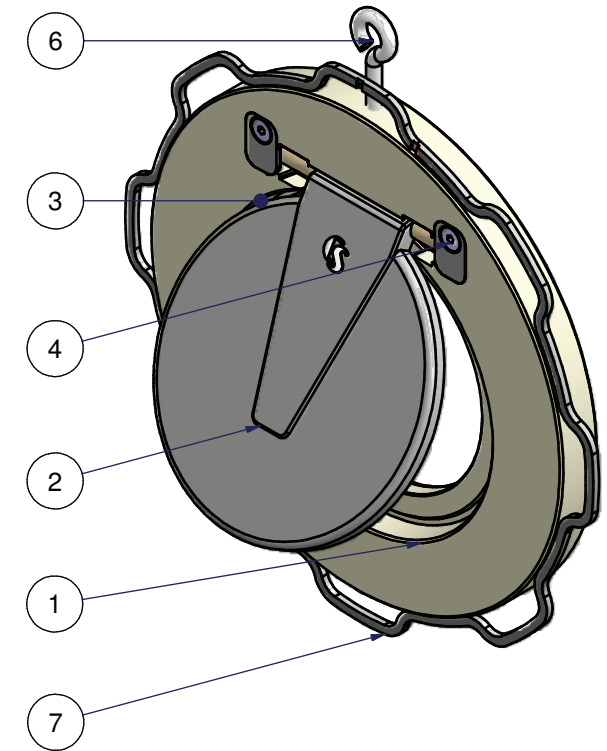
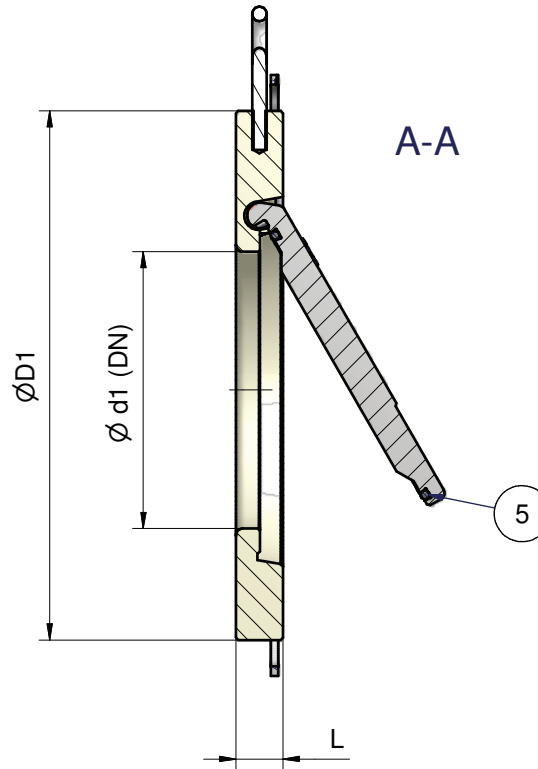
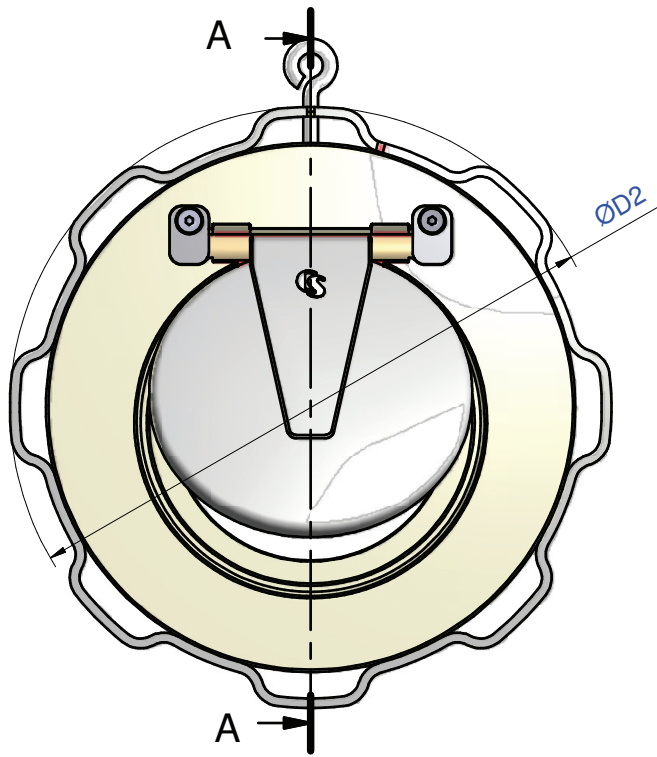
- Product classification according to DGRL 97/23/EC, Fluid Group 1
- Placement between flanges according to DIN EN 1092-1, Form B1, PN 10-40 and ANSI B16.5 Class 150/300 RF
- Operational limits according to DIN EN 1092-1 and AD-Merkblätter W10
- Tightness according to DIN EN 12266-1  
Leakage Rate D (Sealing M, T) and Leakage Rate A (Sealing E, P, V)
- Identification according to DIN EN 19
- Disc with opening limit
- Ring Screw for mounting (standard)
- The pressure rates marked in blue are indicating the use of a centre ring.  
**D2** shows the outer diameter of the centre ring

DN (mm)	50	65	80	100	125	150	200
DN (zoll)	2"	2 1/2"	3"	4"	5"	6"	8"
Ø d1	25	38	46	71.5	95	114	140
L	16.5	16.5	17.5	17.5	19.5	19.5	30
W	55	60	55	55	55	60	55
Ø D1,PN10	107	127	142	162	192	218	273
Ø D1,PN16	107	127	142	162	192	218	273
Ø D1,D2,PN25	107	127	142	170	192	226	283
Ø D1,D2,PN40	107	127	142	170	192	226	290
Ø D1,D2,ANSI150	101	120	133	170	192	218	273
Ø D1,D2,ANSI300	107	127	142	177	212	247	304
Weight (kg)	1.2	1.6	2.1	2.6	4	6	12

Stückliste				
PO	AN	BAUTEILNUMMER	BEZEICHNUNG	MAT
8	1	zr11-150	Centre Ring DN150	1.4301
7	1	cscfe_-150	CSC- Spring 150	see data sheet CSC
6	1	cscrs__150	CSC- Ring Screw M6	see data sheet CSC
5	1	cscor__150	CSC- O-Ring	see data sheet CSC
4	2	cscss__M5 x 8	CSC- Screw M5 x 8	see data sheet CSC
3	2	cschp__ -125-150	CSC- Disc Holder 150	see data sheet CSC
2	1	csckl__ -150	CSC- Disc DN 150	see data sheet CSC
1	1	cscge__ -150	CSC- Body DN 150	see data sheet CSC

Auftrags-Nr.:	last edit	19.11.2008		Massstab 1:2
FN:N:\3D\CSC\CSC150\csc-_-150.iam	Gezeichnet	11.05.2006		
Änd.	Ersteller	B.Schmid		Zeichnungs-Nr. csc-_-150.iam
<b>ChemValve-Schmid</b> Armaturentechnik	Benennung Check Valve CSC/CSCF DN50-200			



- Product classification according to DGRL 97/23/EC, Fluid Group 1
- Placement between flanges according to DIN EN 1092-1, Form B1, PN 10-40 and ANSI B16.5 Class 150/300 RF
- Operational limits according to DIN EN 1092-1 and AD-Merkblätter W10
- Tightness according to DIN EN 12266-1  
Leakage Rate D (Sealing M, T) and Leakage Rate A (Sealing E, P, V)
- Identification according to DIN EN 19
- Disc with opening limit
- Ring Screw for mounting (standard)
- The pressure rates marked in blue are indicating the use of a centre ring.  
**D2** shows the outer diameter of the centre ring

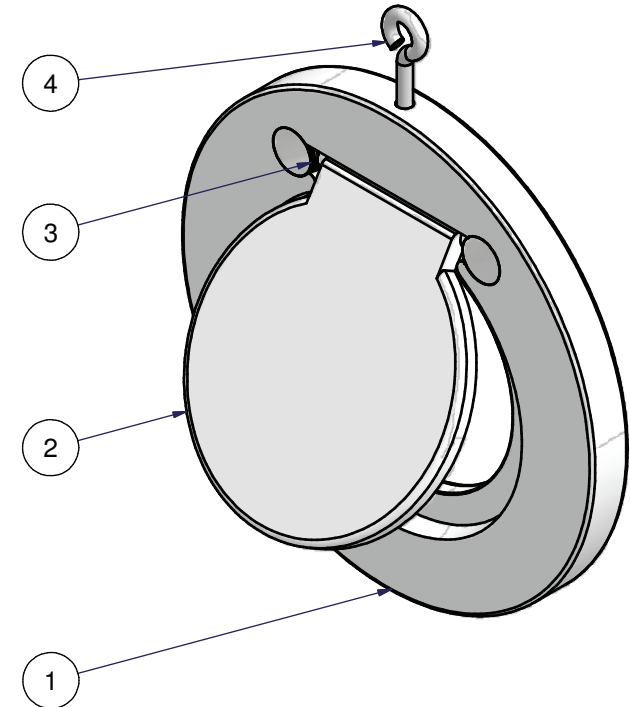
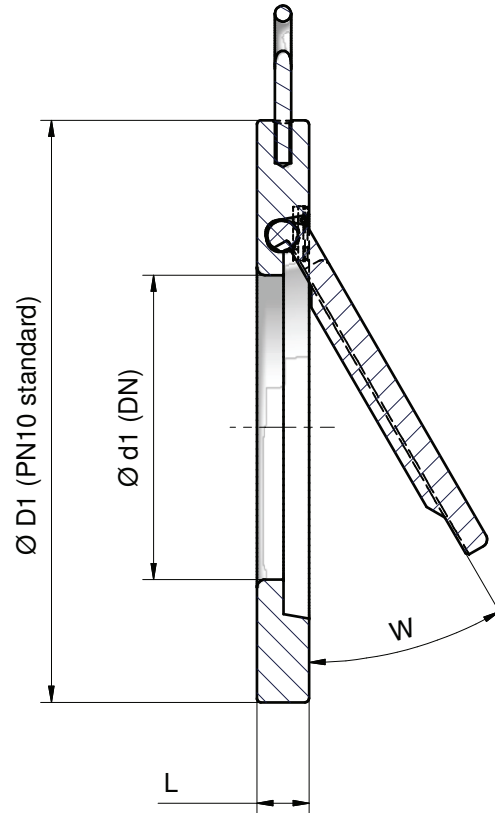
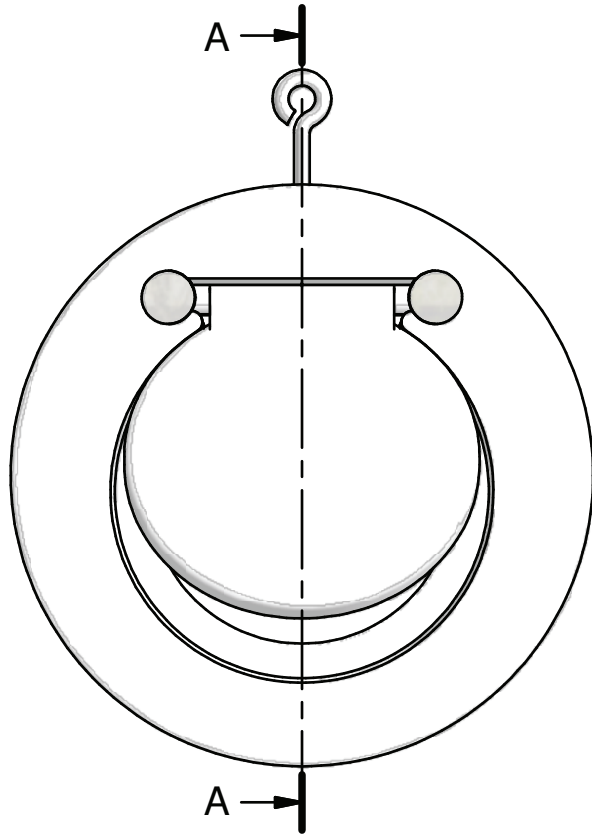
DN (mm)	250	300	350	400	450	500	600	700	800	900	1000
DN (Zoll)	10"	12"	14"	16"	18"	20"	24"	28"	32"	36"	40"
Ø d1	188	216	266	310	356	406	475	564	622	722	822
L	30	34	38	44	50	56	62	68	80	86	96
W	50	50	50	50	50	50	50	50	50	50	50
Ø D1,PN10	328	378	438	489	539	594	695	810	920	1020	1127
Ø D1,PN16	328	378	444	495	555	617	734	804	914	1014	1131
Ø D1,D2,PN25	338	400	457	514	564	624	731	833	945	1045	1158
Ø D1,D2,PN40	352	417	474	546	571	628	747				
Ø D1,D2,ANSI150	338	400	447	511	546	603	714				
Ø D1,D2,ANSI300	352	417	482	536	593	650	771				
Weight (kg)	17	28	41	61	73	108	159	229	350	460	742

Stückliste				
PO	ANZA	BAUTEILNUMMER	BEZEICHNUNG	MAT
7	1	zr11-150	Centre Ring DN150	1.4301
6	1	cscrs__150	CSC- Ring Screw M6	see data sheet CSC
5	1	cscor__150	CSC- O-Ring	see data sheet CSC
4	2	cscss__M5 x 8	CSC- Screw M5 x 8	see data sheet CSC
3	2	cschp__-125-150	CSC- Disc Holder 150	see data sheet CSC
2	1	csckl__-150	CSC- Disc DN 150	see data sheet CSC
1	1	cscge__-150	CSC- Body DN 150	see data sheet CSC

Auftrags-Nr.:	last edit	20.09.2011	
FN:N:\3D\CSC\CSC150\CSC150_ai\csc-_-150_ohne feder.iam	Gezeichnet	11.05.2006	Masstab
Änd.	Ersteller	B.Schmid	1:2
<b>ChemValve-Schmid</b> Armaturentechnik	Benennung	Check Valve CSC DN250-1000	
	Zeichnungs-Nr.	csc-_____-150_ohne feder.iam	

# Check Valve Type CSC7575- DN50-300 (PTFE +25% Glas)

A-A (1:2)

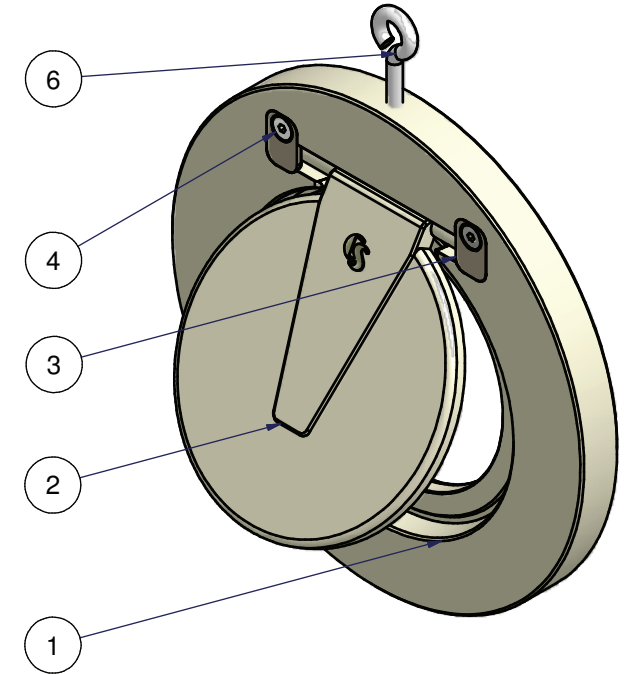
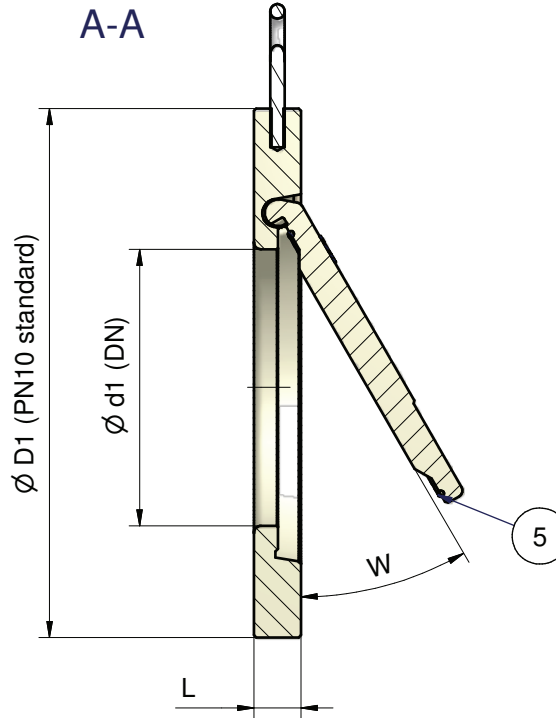
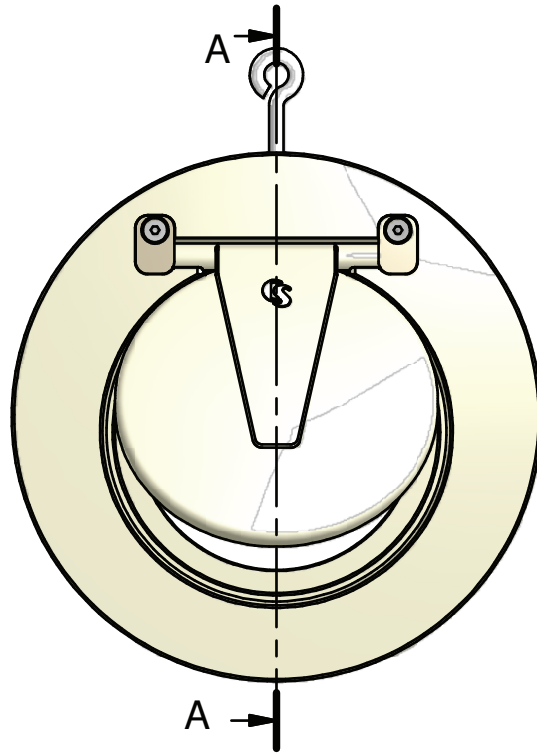


- Max. working pressure 6 bar
- Product classification according to DGRL 97/23/EC, Fluid Group 1
- Placement between flanges according to DIN EN 1092-1, Form B1, PN 10 and ANSI B16.5 Class 150 RF
- Tightness according to DIN EN 12266-1
- Leakage Rate D (Sealing M, T) and Leakage Rate A (Sealing E, P, V)
- Identification according to DIN EN 19
- Ring Screw for mounting (standard)

DN (mm)	50	65	80	100	125	150	200	250	300
DN (zoll)	2"	2 1/2"	3"	4"	5"	6"	8"	10"	12"
Ø d1	25	38	46	71.5	95	114	140	188	216
L	16.5	16.5	17.5	17.5	19.5	19.5	30	30	34
W	55	60	55	55	55	60	55	50	50
Ø D1, PN10	107	127	142	162	192	218	273	328	378
Ø D2, ANSI150	101	120	133	170	192	218	273	338	400
Gewicht (kg)	0.10	0.20	0.25	0.30	0.50	0.70	1.25	2.10	3.20

Stückliste				
PO	ANZA	BAUTEILNUMMER	BEZEICHNUNG	MATERIAL
4	1	cscrs_-150	CSC-Body DN150	see data sheet CSC
3	2	cschp75-050-150	CSC-Body DN150	see data sheet CSC
2	1	csccl75-150	CSC-Disc DN150	see data sheet CSC
1	1	cscge75-150	CSC-Body DN150	see data sheet CSC
Auftrags-Nr.:				last edit 19.11.2008 b.schmid
Toleranzen ISO 2768 - mH			Gezeichnet 29.11.2007	Masstab 1:1
Kanten DIN 6784; Oberflächen ISO 1302			Ersteller B.Schmid	
FN:N:\3D\CSC\CSC150\CSC150_a\csc7575m150_broschüre.iam				
<b>ChemValve-Schmid</b> Armaturentechnik		Benennung Check Valve CSC/CSCF DN50-300, PTFE		Zeichnungs-Nr. csc7575m150_broschüre.iam

# Check Valve Type CSC7474- DN50-300 (Polypropylen, PP)



- Max. working pressure 6 bar
- Product classification according to DGRL 97/23/EC, Fluid Group 1
- Placement between flanges according to DIN EN 1092-1, Form B1, PN 10 and ANSI B16.5 Class 150 RF
- Tightness according to DIN EN 12266-1  
Leakage Rate D (Sealing M, T) and Leakage Rate A (Sealing E, P, V)
- Identification according to DIN EN 19
- Ring Screw for mounting (standard)

DN (mm)	50	65	80	100	125	150	200	250	300
DN (zoll)	2"	2 1/2"	3"	4"	5"	6"	8"	10"	12"
Ø d1	25	38	46	71.5	95	114	140	188	216
L	16.5	16.5	17.5	17.5	19.5	19.5	30	30	34
W	55	60	55	55	55	60	55	50	50
Ø D1,PN10	107	127	142	162	192	218	273	328	378
Ø D2,ANSI150	101	120	133	170	192	218	273	338	400
Gewicht (kg)	0.10	0.20	0.25	0.30	0.50	0.70	1.25	2.10	3.20

Stückliste				
PO	ANZA	BAUTEILNUMMER	BEZEICHNUNG	MAT
6	1	cscrs_-150	CSC- Ring Screw M6	see data sheet CSC
5	1	cscor_-150	CSC- O-Ring	see data sheet CSC
4	2	cscss_M5 x 8	CSC- Screw M5 x 5	see data sheet CSC
3	2	cschp_-125-150	CSC- Body DN 150	see data sheet CSC
2	1	csckl_-150_50mm	CSC- Disc DN 150	see data sheet CSC
1	1	cscge_-150	CSC- Body DN 150	see data sheet CSC

Auftrags-Nr.:	last edit	19.11.2008	
FN:N:\3D\CSC\CSC150\CSC150_a\csc150pp\csc7474m150.iam	Gezeichnet	11.05.2006	Masstab
Änd.	Ersteller	B.Schmid	1:2
<b>ChemValve-Schmid</b> Armaturentechnik	Benennung	Check Valve CSC DN 50-300, PP	
	Zeichnungs-Nr.	csc7474m150.iam	